

## CodeLock LCD ADC

electronic lock is realised with Atmel AVR micro-controller **ATtiny26**.

**1 user code** is consisted of 6 digits (e.g. 2 2 9 9 2 1). Program codeLCDadc-D.hex

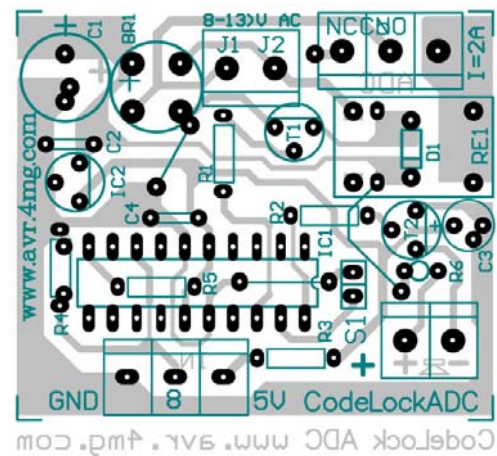
**1 user code** is consisted of 4 digits (e.g. 2 2 9 9). Program codeLCDadc.hex

If the code is entered in the correct sequence, then after 1 second the relay and the electric striker (in the door) **switch on for 2 seconds** and then switch off again.

**6 digits user code** is set via keypad. After pressing the taster push button S1 for a second, enter 6 digits user code. Two beeps follow after the user code is stored into memory (eeprom).

### Signaling

- Each pressed key is immediately confirmed with one short beep.
- Two short beeps follow after entering the right user code.
- The keypad is blocked for 60 seconds after the third incorrect entry.
- User code is retained even in the event of a power failure.
- You can use a LED diode instead of a Beeper. Look at the code lock electric circuit diagram.



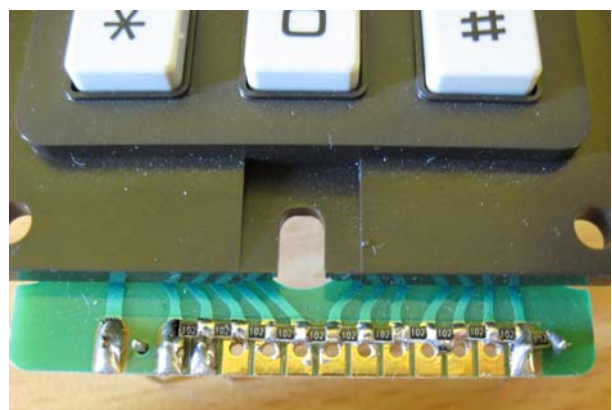
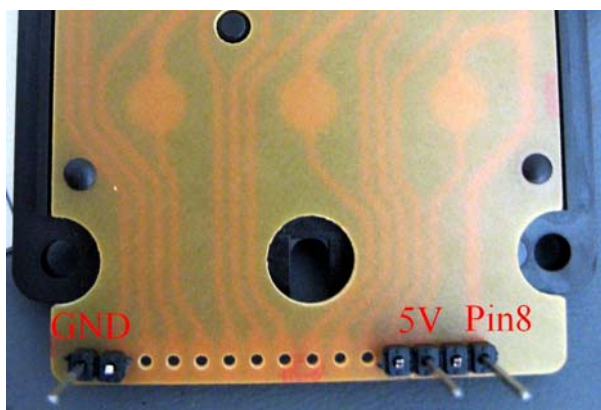
### YOU CAN ORDER (for the CodeLock LCD ADC):

Programmed micro-controller (1 user code – 6 digits) Atmel **ATtiny26** = 12 EUR.

Programmed micro-controller (1 user code – 9 digits) Atmel **ATtiny26** = 15 EUR.

### Some details of a keypad:

Common \* 7 4 1 0 8 5 2 # 9 6 3



### Electric circuit diagram

(codelcdadc.hex, codelcdadc-D.hex)

